



LOCKR COMBI

COMBINATION LOCK 8001



SECURITY

10.000 COMBINATIONS

1.400 MASTER KEYS

INTERCHANGEABLE CYLINDER



LOCKR COMBI

COMBINATION LOCK 8001



INTERCHANGEABLE CYLINDER
CODE 41.R7E4CN



REMOVE KEY OJMAR
WITH RED FOB
CODE 249.03.E01



METAL MASTER KEY
CODE 245.01.E02



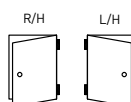
MAIN FEATURES

- Easy 4 digit code operation.
- 10.000 possible combinations.
- Free use mode or dedicated mode.
- Highly resistant die-cast lockbody in matte chrome finish.
- Code-finding option.
- Dry area or wet area use.
- Master keyed.
- Removable cylinder in case of master key loss or theft.
- Lock status displayed: red for locked, green for open.
- Accommodates doors from 1 to 20,00mm.
- Integrated handle.
- Stainless steel 4mm thick cam.

CODE No

COMBINATION LOCK WITH CYLINDER

POSITION	CODE
R/H	8001.A705CMS
L/H	8001.A706CMS



INCLUDES

- 1 x LOCK
- 1 x FIXING PLATE
- 3 x SCREWS 20mm to (0,787')
- 3 x SCREWS 25mm (0,984')

ACCESSORIES

SPACER

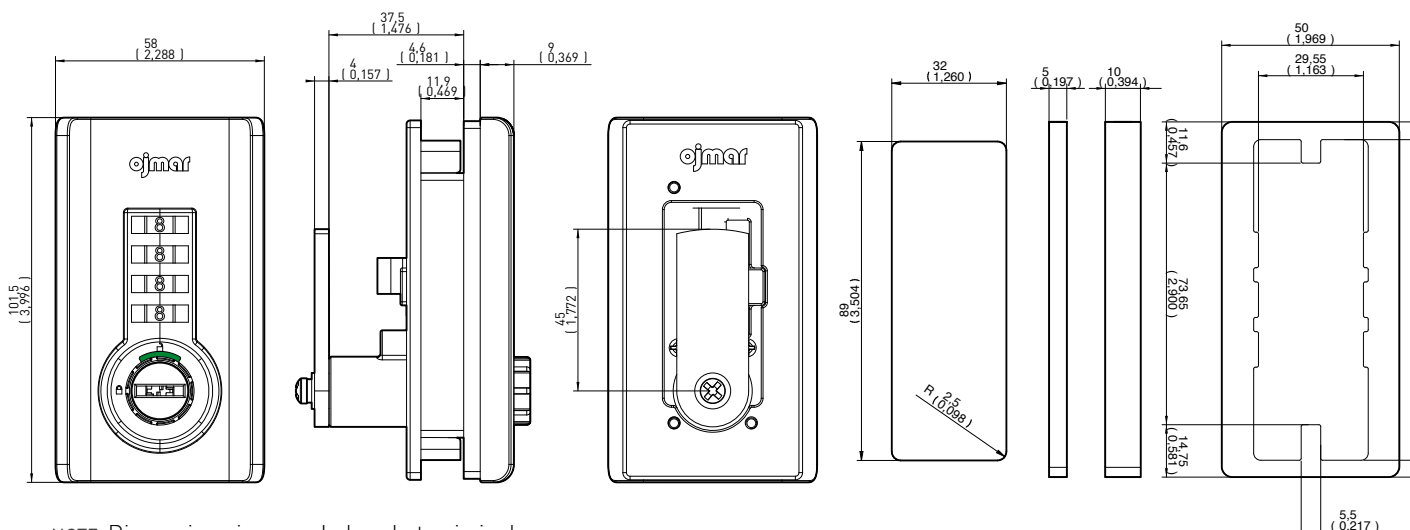
- CODE
- 8001.S05PN (5mm) (0,197')
 - 8001.S10PN (10mm) (0,394')

TECHNICAL DRAWINGS

LOCKR

FOOTPRINT

SPACER (5mm) (0,197')
SPACER (10mm) (0,394')



NOTE: Dimensions in mm . In brackets : in inches

